

Datasheet

Weatherproof LED Exit Sign


CAT. NO. 659038LI, 659039LI, 659040LI, 659041LI, 659042LI, 659043LI



659038LI



659041LI

Mode of Operation	Maintained
Nominal Input Voltage	230 - 240 V a.c. 50 Hz
Power Consumption	5.4 W
Battery	Li-Ion 6.4 V, 1.5 Ah
Inrush Current	5 A peak
Light Source Life (LSL)	50,000 hrs
Body Construction	Polycarbonate
Diffuser Construction	Polycarbonate
Operating Temperature	10° C to 40° C
Ingress Protection Rating	IP65
Impact Protection Rating	IK08
Product Weight	2.3 kgs (for 24m versions) 4.5 kgs (for 32m versions)
Compliance	AS/NZS 2293, AS/NZS 60598, AS/NZS 4268, AS CISPR 15
Product Marking	  R-NZ



Weatherproof LED Exit Sign

CAT. NO. 659038LI, 659039LI, 659040LI, 659041LI, 659042LI, 659043LI



Cat. No.	Description
24m	
659038LI	WP LED Exit RM
659039LI	WP LED Exit RML
659040LI	WP LED Exit RMR
32m	
659041LI	WP LED Exit RM
659042LI	WP LED Exit RML
659043LI	WP LED Exit RMR

RM = Running Man Straight RML = Running Man Left RMR = Running Man Right

Accessories	
684690	Wall bracket for 24m
684691	Side bracket for 24m
684692	Ceiling bracket for 24m

FEATURES

- Embedded Bluetooth for smart device connectivity.
- Low Power Wide Area Network type of communications utilising the LoRa platform.
- LoRa communication to maximise reliability, coverage and infiltration.
- iSmart™ temperature sensing technology for the Li-ion battery.
- Electronics designed to lengthen the life of the battery, minimising maintenance costs.
- Environment friendly battery.
- Two sizes: 24m and 32m viewing distance.
- Removable gear tray for ease of maintenance and installation.
- Large terminal block for ease of connection.
- Low cost maintenance.
- Designed and Manufactured in Australia.
- 5 Year Warranty.

SPACING TABLE

Maximum Spacing between luminaires for 0.2 lux (Australia)				
Mounting Height (m)	2.4	2.7	3.0	3.3
C ₀ : E2.5	5.6	5.8	5.8	5.8
C ₉₀ : E2	5.2	5.2	5.2	0.0*

As per AS/NZS 2293.1:2018

* - exit sign satisfies the requirement to illuminate the doorway or potential hazard, however without a spacing for this mounting height as per AS/NZS 2293.1:2018 clause 4.5.

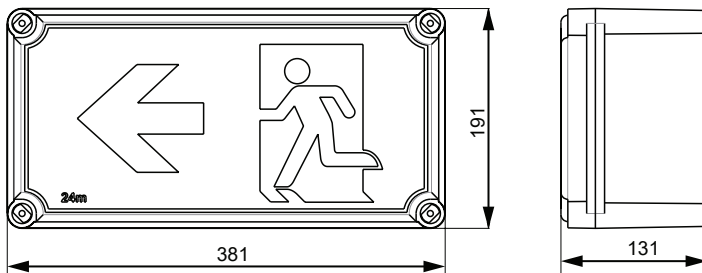
Note: For New Zealand (1.0 lux), this luminaire is only internally lit exit sign without a spacing when installed at heights 2.1m - 20m.

Weatherproof LED Exit Sign

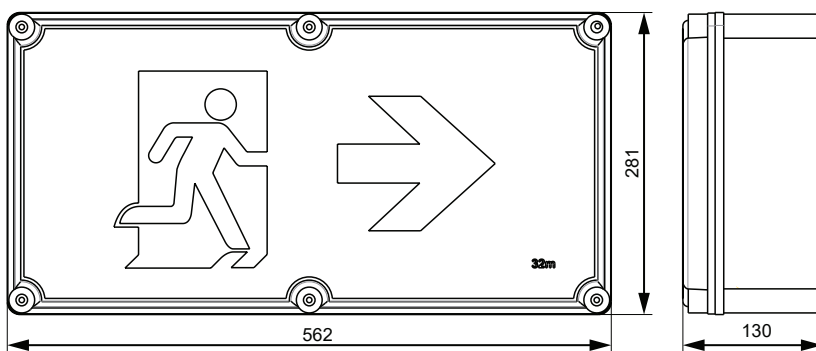
CAT. NO. 659038LI, 659039LI, 659040LI, 659041LI, 659042LI, 659043LI



DIMENSIONS



24m Exit

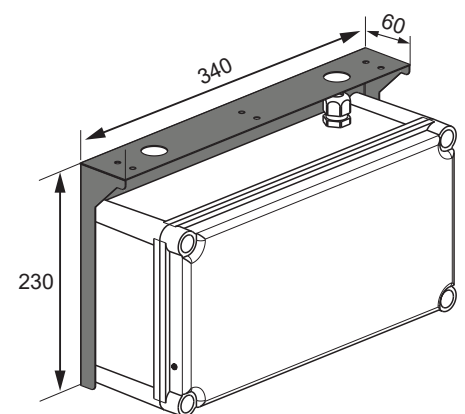
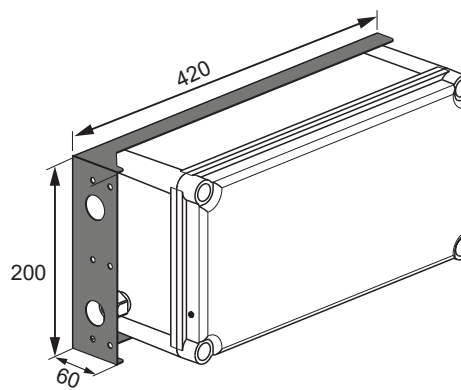
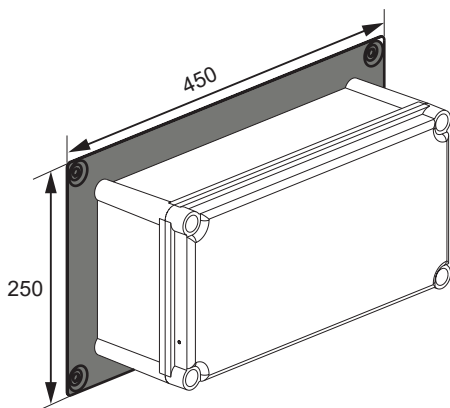


32m Exit

Rear mounting bracket (684690)

Side mounting bracket (684691)

Ceiling mounting bracket (684692)



Note: All dimensions are in mm.

Legrand Australia
1300 369 777
www.legrand.com.au
ABN 31 000 102 661

Legrand New Zealand
0800 476 009
www.legrand.co.nz

Refer to your group buying office, Legrand Sales Representative or Legrand Sales Office for pricing.

Please note: specifications are subject to change without prior notice.

